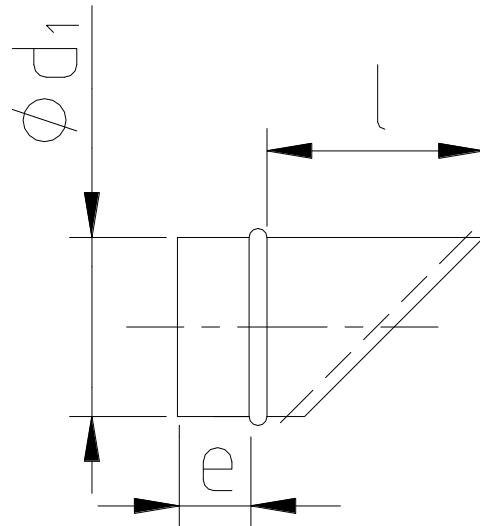


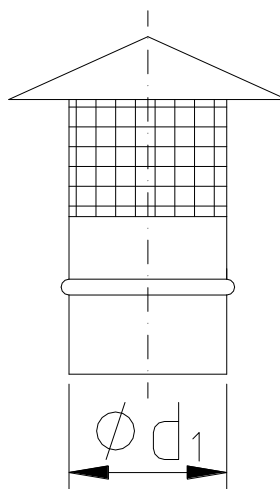
Izpihovalni elementi

Stranski izpihovalni kos z mrežo - SIE

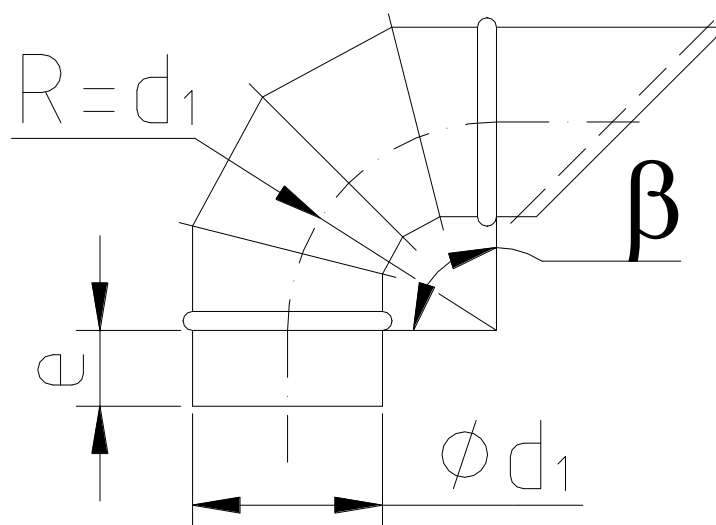
Nazivni premer	SC	
	e [mm]	l [mm]
Ød ₁ [mm]		
100	40	180
125	40	215
150	40	250
160	40	265
180	40	295
200	40	325
225	40	360
250	60	415
280	60	455
300	60	485
315	60	505
355	60	560
400	80	645
450	80	715
500	80	785
560	80	870
630	80	970
650	80	1000
710	100	1105
800	100	1230
900	100	1375
1000	100	1515
1250	120	1890
1400	150	2130



Strešna izhodna kapa - SIK

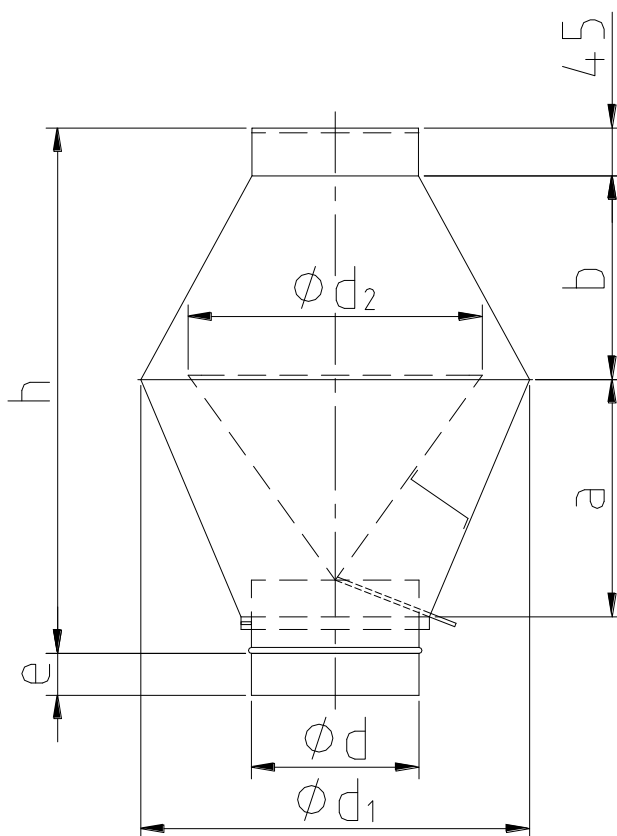


Strešni izpihovalni kos z mrežo - SIA



- ✓ spajanje s spiralnimi cevmi brez dodatnih spojnih kosov
- ✓ $\beta = 90^\circ$ ali $\beta = 120^\circ$

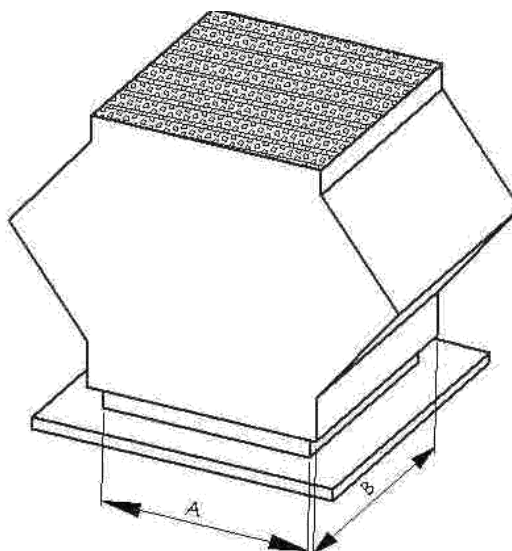
Izpuh na strehi - deflektor - DEF



Nazivni premer	DEF						
Ød [mm]	Ød ₁ [mm]	Ød ₂ [mm]	a [mm]	b [mm]	e [mm]	h [mm]	[EUR/kos]
100	234	177	142	122	40	349	
125	292	221	177	152	40	424	
150	350	265	212	182	40	499	
160	374	283	227	195	40	531	
180	420	318	255	219	40	591	
200	467	353	283	243	40	651	
225	525	398	319	274	40	728	
250	584	442	354	304	60	803	
280	654	495	396	340	60	893	
300	701	530	425	365	60	955	
315	736	557	446	383	60	1000	
355	829	627	503	432	60	1122	
400	934	707	566	486	80	1257	
450	1051	795	637	547	80	1409	
500	1168	884	708	608	80	1561	
560	1308	990	793	681	80	1743	
630	1471	1113	892	766	80	1955	

Nazivni premer	DEF						
Ød [mm]	Ød ₁ [mm]	Ød ₂ [mm]	a [mm]	b [mm]	e [mm]	h [mm]	[EUR/kos]
650	1518	1149	920	790	80	2015	
710	1658	1255	1005	863	100	2197	
800	1868	1414	1133	973	100	2471	
900	2102	1590	1274	1094	100	2773	
1000	2335	1767	1416	1216	100	3077	
1250	2919	2209	1770	1520	120	3835	
1400	3269	2474	1982	1702	150	4289	

Izpuh na strehi - deflektor pravokotni - **DFE**



Velikost	Opis	Cena
B (mm)	A = 300 mm	€
300	DFE 300/300	
400	DFE 300/400	
500	DFE 300/500	
600	DFE 300/600	
800	DFE 300/800	
900	DFE 300/900	
1000	DFE 300/1000	
1100	DFE 300/1100	
1200	DFE 300/1200	

Opis	Cena
A = 400 mm	€
DFE 400/300	
DFE 400/400	
DFE 400/500	
DFE 400/600	
DFE 400/800	
DFE 400/900	
DFE 400/1000	
DFE 400/1100	
DFE 400/1200	

Velikost	Opis	Cena
B (mm)	A = 500 mm	€
300	DFE 500/300	
400	DFE 500/400	
500	DFE 500/500	
600	DFE 500/600	
800	DFE 500/800	
900	DFE 500/900	
1000	DFE 500/1000	
1100	DFE 500/1100	
1200	DFE 500/1200	

Opis	Cena
A = 600 mm	
DFE 600/300	
DFE 600/400	
DFE 600/500	
DFE 600/600	
DFE 600/800	
DFE 600/900	
DFE 600/1000	
DFE 600/1100	
DFE 600/1200	

Velikost	Opis	Cena
B (mm)	A = 700	€
300	DFE 700/300	
400	DFE 700/400	
500	DFE 700/500	
600	DFE 700/600	
800	DFE 700/800	
900	DFE 700/900	
1000	DFE 700/1000	
1100	DFE 700/1100	
1200	DFE 700/1200	

Opis	Cena
A = 800 mm	€
DFE 800/300	
DFE 800/400	
DFE 800/500	
DFE 800/600	
DFE 800/800	
DFE 800/900	
DFE 800/1000	
DFE 800/1100	
DFE 800/1200	

Velikost	Opis	Cena
B (mm)	A = 900 mm	€
300	DFE 900/300	
400	DFE 900/400	
500	DFE 900/500	
600	DFE 900/600	
800	DFE 900/800	
900	DFE 900/900	
1000	DFE 900/1000	
1100	DFE 900/1100	
1200	DFE 900/1200	

Opis	Cena
A = 1000	€
DFE 1000/300	
DFE 1000/400	
DFE 1000/500	
DFE 1000/600	
DFE 1000/800	
DFE 1000/900	
DFE 1000/1000	
DFE 1000/1100	
DFE 1000/1200	

Velikost	Opis	Cena
B (mm)	A = 1100 mm	€
300	DFE 1100/300	
400	DFE 1100/400	
500	DFE 1100/500	
600	DFE 1100/600	
800	DFE 1100/800	
900	DFE 1100/900	
1000	DFE 1100/1000	
1100	DFE 1100/1100	
1200	DFE 1100/1200	

Opis	Cena
A = 1200 mm	€
DFE 1200/300	
DFE 1200/400	
DFE 1200/500	
DFE 1200/600	
DFE 1200/800	
DFE 1200/900	
DFE 1200/1000	
DFE 1200/1100	
DFE 1200/1200	